

振动筛

Vibrating Screen

产品描述

本系列振动筛的运动轨迹呈圆周，是专门为采石场筛分料石设计的，也可供选煤、选矿、建材、电力及化工部门等做产品分级用。本公司产品具有结构先进，激振力强，振动噪音小，易于维修，坚固耐用等特点。

Product Description

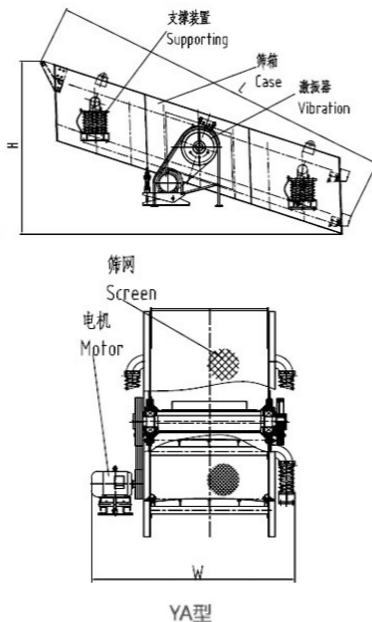
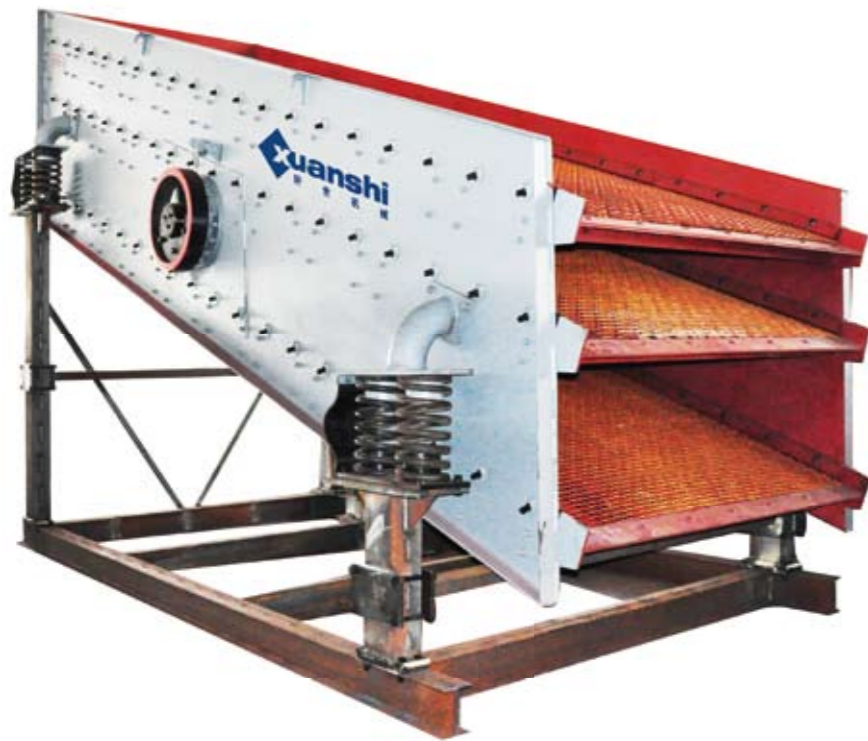
The vibrating screen with circular motion is specially designed for quarry to separate crushed stone material into different sizes, and is also used as a grading machine in coal dressing, ore dressing, construction material, electric and chemical industries. It has features of advanced structure of advanced structure, powerful vibrating forces, low vibration noise, easy maintenance, high durability, etc.

工作原理

圆振动筛是一个以筛箱激振器等可动部分为质量，以金属螺旋弹簧为弹性元件，以振动器为激振机构的单质量强迫振动系统的筛分设备。电机通过轮胎式联轴节驱动激振器，偏心块高速旋转产生强大的离心力，使筛箱作强制的连续的圆运动。物料则以此运动为动力，在倾斜的筛面上作连续的抛掷运动，抛起时分层，落下时以颗粒透筛，周而复始的完成了粒度的分级过程。

Working Principle

Circular vibrating screen is a single mass forced vibration system that consists of a screen box exciter and other movable portion as mass and a metal coil spring as the elastic element. The motor is driven by tire-type couplings exciter and the eccentric block produces a powerful centrifugal force by high-speed rotating, so that screen boxes make mandatory continuous circle movement. Material is driven by such force to make a continuous throw movement in the tilt of the screen surface with materials separated when throwing up and penetrated when falling down, thus finish the complete cycle granularity of classification process.



产品优势和特点

振动平稳、工作可靠、寿命长；可以调节激振力，可随时改变和控制流量，调节方便稳定；振动电机为激振源，噪声低，耗电小，结构简单，运行可靠，调节安装方便，重量轻，体积小，维护保养方便，当采用封闭式结构机身时可防止粉尘污染。调节性能好，无冲料现象。

Advantages and Features

Stable vibration, reliable operation and reliability; users can adjust and change the exciting force at any time and control flow; convenient adjustment and stability; low noise, energy saving, simple structure, reliable operation, easy adjustment and installation, light weight, small size, easy maintenance. When adopting the fuselage structure, it can prevent dust pollution. Good adjustable performance, non-washed material phenomenon.

主要技术参数 (Main technical parameters)

型号 Model	筛面层数 Screen Layer	筛孔尺寸 Sieve Pore Size(mm)	筛面规格 Screen Size (mm)	最大进料粒度 Max. Feeding Size (mm)	处理能力 Capacity (t/h)	振动频率 Vibrating Frequency (Hz)	双振幅 Double Amplitude (mm)	功率 Electric Motor Power (kw)	重量 Weight (t)
2YA1237	2	3-100	1200x3700	200	15-160	970	5-9	5.5	2.6
3YA1237	3	3-100	1200x3700	200	15-160	970	5-9	7.5	3.5
2YA1548	2	3-100	1500x4800	200	50-250	970	5-9	15	5.5
3YA1548	3	3-100	1500x4800	200	50-250	970	5-9	15	6
2YA1848	2	3-100	1800x4800	200	56-330	970	5-9	18.5	6
3YA1848	3	3-100	1800x4800	200	56-330	970	5-9	18.5	6.5
4YA1848	4	3-100	1800x4800	200	56-330	970	5-9	18.5	6.8
2YA1860	2	3-100	1800x6000	200	80-450	970	5-9	22	7
3YA1860	3	3-100	1800x6000	200	80-450	970	5-9	22	7.6
4YA1860	4	3-100	1800x6000	200	80-450	970	5-9	30	8.5
2YA2160	2	3-100	2100x6000	200	100-720	970	6-8	30	8.1
3YA2160	3	3-100	2100x6000	200	100-720	970	6-8	30	9.2
4YA2160	4	3-100	2100x6000	200	100-720	970	6-8	30	10.5
2YA2460	2	3-100	2400x6000	200	150-600	970	6-8	30	11
3YA2460	3	3-100	2400x6000	200	150-600	970	6-8	37	12.1
4YA2460	4	3-100	2400x6000	200	150-600	970	6-8	37	13