

振动给料机

Vibrating Feeder

产品描述

本公司生产的喂料机系列分为激振式喂料机与直线式喂料机两种。

激振式喂料机系列采用两台激振式电机，用户可自由调整喂料机的振动频率，从而完全控制石料的喂料速度，保证生产线的顺畅运行。

直线振动式给料机，具有振动平稳，工作可靠，寿命长等特点。

可为碎石机械连续、均匀喂料，并对物料进行粗筛分。

工作原理

ZSW系列振动给料机是由给料槽体、激振器、弹簧支座、传动装置等组成。槽体振动给料的振动源是激振器，激振器是由两根偏心轴(主、被动)和齿轮组成，由电动机通过三角带驱动主动轴，再由主动轴上齿轮啮合被动轴转动，主、被动轴同时反向旋转，使槽体振动，使物料连续不断流动，达到输送物料的目的。



Product Description

Feeder series have two types: vibrating feeder (GZD) and linear feeder (ZSW). Vibrating feeder series have two engines. Users can adjust vibrating frequency of feeder freely so as to completely control feeding speed and ensure smooth operation of production line. Linear feeder series have features of stable vibration, reliable operation and long service life.

Working Principle

Vibrating feeder consists of the vibrating frame, vibrators, springs, electric motor, aircraft vibration and other components. There are two eccentric shafts rotating at high speed at the same time from opposite directions, thus the strong centrifugal force is formed. The component forces of centrifugal force along the vibrating direction will always overlap each other, then counteract with that of vertical force from vibrating direction, then exciting force along single direction is formed to drive the feeder vibrate along straight line. When materials are fed into the feeder, they may be thrown up and move like para curve, then fall down. The materials will move forward on the slope surface of the feeder.

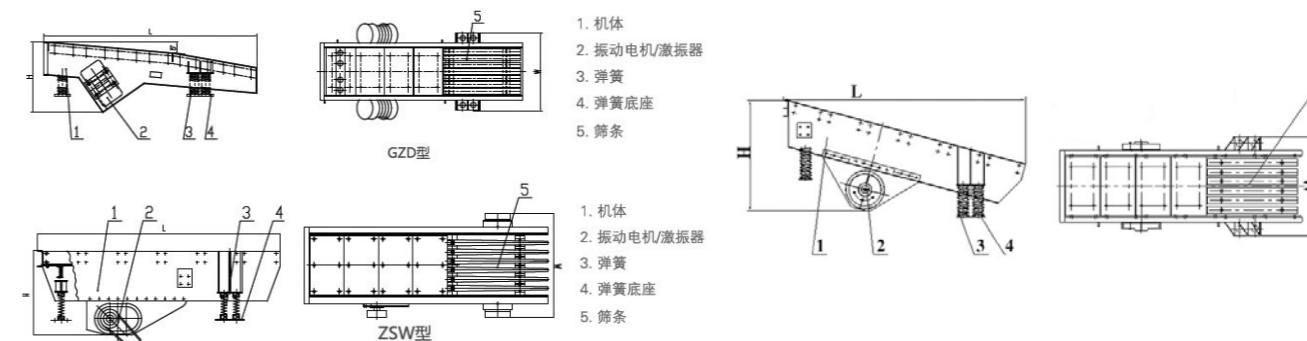
产品优势和特点

振动平稳、工作可靠、寿命长；可以调节激振力，可随时改变和控制流量，调节方便稳定；振动电机为激振源，噪声低，耗电小，调节性能好，无冲料现象。结构简单，运行可靠，调节安装方便，重量轻，体积小，维护保养方便，当采用封闭式结构机身时可防止粉尘污染。

Advantages and Features

The vibrating feeder has features of stable vibration, reliable operation and Reliability. In addition, GZD also can adjust the excitation force, change and control the flow at any time conveniently and stably. Vibration motor is of vibration source, with low noise, small power consumption and good adjustment.

Simple structure, reliable operation, convenient adjustment and installation, light weight, small size, easy maintenance, preventing dust pollution when using the closed structure of the fuselage.



主要技术参数 (Main technical parameters)

型号 Model	料槽尺寸 Trough Size (mm)	最大进料粒度 Max. Feeding Size (mm)	处理能力 Capacity (t/h)	偏心轴转速 Eccentric Shaft Rotating Speed (r/min)	功率 Electric Motor Power (kw)	重量 Weight (t)	外型尺寸 Overall Dimension (mm)
GZD-750×2500	2500×750	300	50-80		1.5×2	1.29	2580×1100×1400
GZD-900×3000	3000×900	450	80-100		3.0×2	1.96	3200×1784×1550
ZSW-850×3000	3000×850	400	80-120	500-720	7.5	3.9	3110×1800×1600
ZSW-960×3800	3800×960	500	120-210	500-720	11	4.21	3882×1684×1340
ZSW-110×4200	4200×1100	580	200-430	500-800	15	4.85	4400×2050×1660
ZSW-110×4900	4900×1100	580	280-430	500-800	15	5.41	5200×2050×1700
ZSW-130×6000	6000×1300	600	400-560	500-800	22	7.8	6028×2580×2083
ZSW-150×6000	6000×1500	800	460-580	500-800	30	8.7	6086×2662×1912